

Analog to Digital Converter – Quick Start Guide

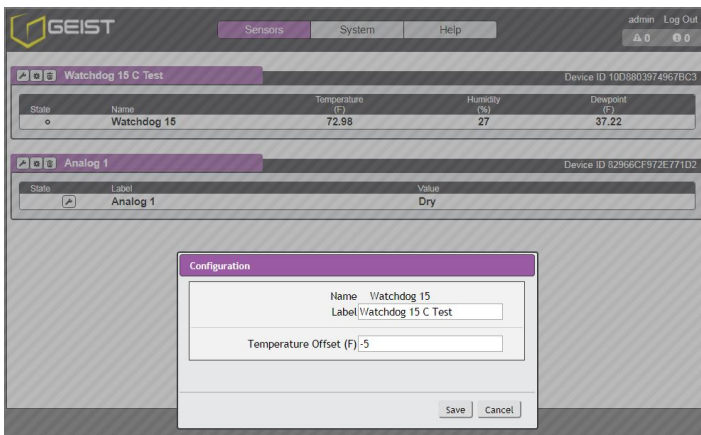
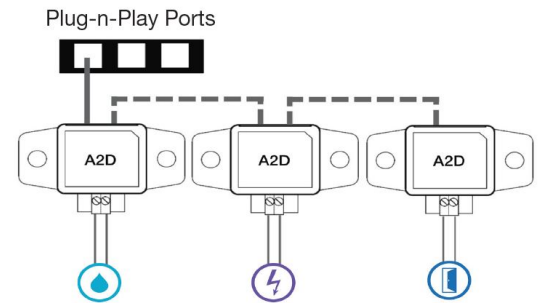
Part Number: A2D

The A2D allows you to interface an analog sensor to a Plug-n-Play port. It is compatible with the Watchdog 15/100 environment monitors and Geist Upgradeable PDUs. It is also compatible with R-Series PDUs with v5.0.2 or newer firmware, and will support up to 16 sensors on those units.

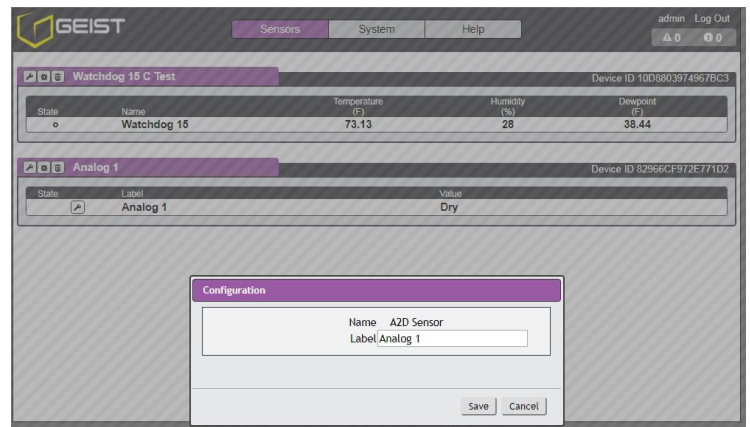
1. To connect your analog device to the A2D, just attach the common wire to terminal “C” and the remaining wire to terminal “1”.
2. Using the RJ11 wire supplied, connect the A2D to your digital monitoring device, such as the Watchdog 100.



You may daisy chain multiple A2D units as shown above. The number of units that can be daisy chained is limited by the digital device you are using. For example, the Watchdog 15/100 systems can monitor up to four A2D units. WD15/100 and GU require firmware v3.0 or newer.



The screen shot above shows the GUI of a Watchdog 15, with the configuration window open for naming.



The screen shot above shows the GUI of a Watchdog 15 with the configuration window for the sensor open for naming. It has identified the unit as an A2D automatically.

| Specifications | |
|-----------------------------|--|
| Input Rating | 0-10VDC, 4-20mA, or dry contact |
| Operating Temperature | -20°C to +75°C (-4°F to +167°F) |
| Operating Altitude Limit | 3,050m (10,000ft) above MSL |
| Operating Relative Humidity | 5-95% |
| Connections | Digital In, Digital Out & Analog In |
| Enclosure Size (LxWxH) | 57.15mm x 27.20mm x 23.49mm (2.250in x 1.071in x 0.925in) |
| Mounting Hole Size | 6.35mm (0.25in) |
| Cable Type | Includes a 3m (10ft) or 15m (50ft) uplink cable to connect to the host |
| Cable Length | 3m, 15m (10ft, 50ft) |
| Compatibility | Watchdog 15/100 and Geist Upgradeable PDUs with firmware v3.0 or greater. Also compatible with R-Series PDUs with v5.0.2 or newer firmware |

Here are some of the dry contact type sensors that can be utilized with the A2D Converter:

- Door Position
- Power Failure
- Water Sensing Cable
- Flood Sensor
- Isolated Voltage
- Smoke Alarm
- Industry Standard 0-10V or 4-20mA